

EV U1 AGM Series Battery

EV U1 AGM series battery is Deep Cycle battery specially designed for frequently charge and discharging application. By using heavy duty grids, thicker plates and specially active materials, which the battery can offer 80% more cycle life than general AGM batteries, they are special design for Garden machinery power application.

Applications

- Garden Machinery
- Golf carts and Wheelchairs
- Floor Sweepers and Electric Vehicles

General Features

- Non-spillable construction
- Sealed and maintenance-free
- Excellent recovery from deep discharge
- High density active materials plates

Standards

- Compliance with IEC, BS, JIS and EU standards.
- UL, CE Certified
- ISO45001,ISO9001 and ISO14001 certified production facilities

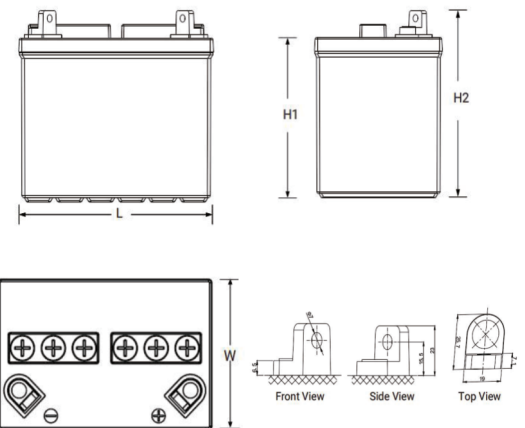
Specifications

Rated Voltage	12V	
Nominal Capacity	26Ah	(C ₂₀ , 10.5V)
Approx Weight	7.0kg±3%(15.4lbs)	
Terminal	T4	
Rated Capacity(25°C)	26Ah	(20hr, 1.3A, 10.5V)
	24 Ah	(10hr, 2.4A, 10.5V)
	20 Ah	(3hr, 6.67A, 9.6V)
Max.Discharge Current	260A(5s)	
Max.Charge Current	6.5A	
Operating Temp.Range	Discharge	-20~60°C(-4~140°F)
	Charge	-10~50°C(14~122°F)
	Storage	-20~60°C(-4~140°F)
Nominal operating temperature	25±5°C	
Charge Voltage @25°C(77°F)	Cycle Use	Initial Charging Current less than 6.5A. Voltage 14.4V~15.0V at 25°C(77°F).
	Standby Use	Initial Charging Current less than 6.5A. Voltage 13.5V~13.8V at 25°C(77°F).
Temperature effects on capacity	40°C (104°F)	103%
	25°C (77°F)	100%
	0°C (32°F)	86%
	-15°C (5°F)	65%
Self Discharge(25°C)	Capacity after 3 months storage	91%
	Capacity after 6 months storage	82%
	Capacity after 12 months storage	65%
CCA (EN50342)	260A	
STORAGE CAPACITY:(DISCHARGE WITH 25A TO 10.5V)	50Ah	



Dimensions

unit:mm



Length	195±2mm (7.68 inches)
Width	130±2mm (5.12 inches)
Container Height	161±2mm (6.34 inches)
Total Height	183±2mm (7.20 inches)

Battery Construction

Component	Positive plate	Negative plate	Container	Safety valve	Terminal	Separator	Electrolyte
Raw material	Lead dioxide	Lead	ABS	Rubber	LEAD	AGM	Sulfuric acid

Factory Address: Zhoutian Industrial Park, Renhua County, Guangdong Province
 Office add: RM201, Building D, Penglitai Industrial Park, No. 4, Longping West Road, Longgang District, Shenzhen.
 TEL: +86-755-28288189

sales@shenglongpower.com WWW.SHENGLONGPOWER.COM